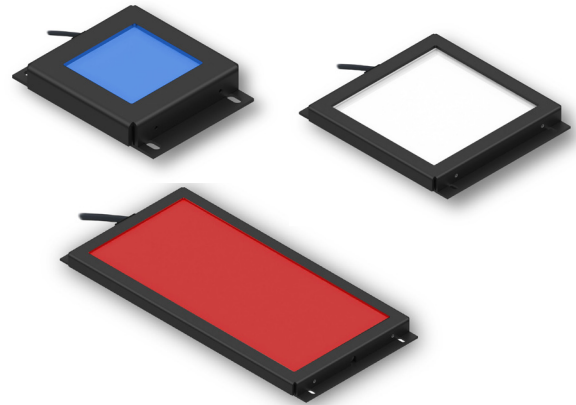





### Product Highlights

- Ultra thin profile for easy installation in tight spaces
- Highest flux density among all Ai backlights
- Large working area with uniform illumination
- Three sizes available:
 

BT050050	50mm x 50mm
BT100100	100mm x 100mm
BT200100	200mm x 100mm



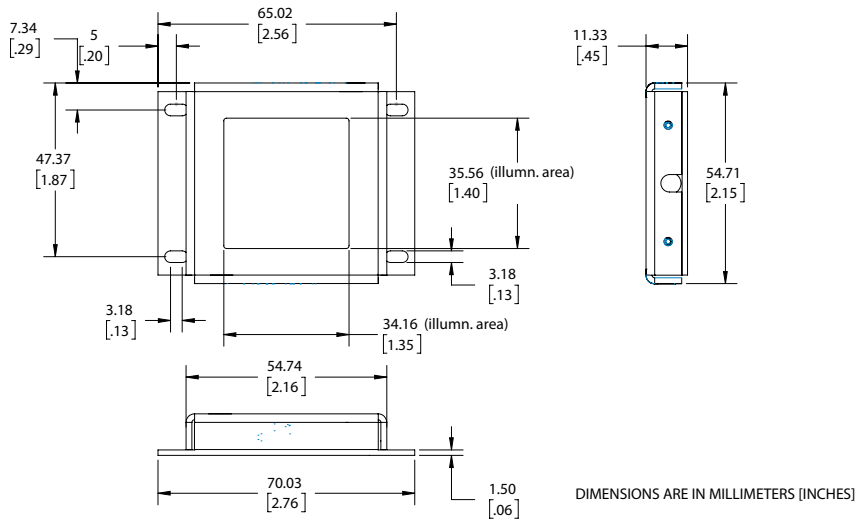
### General Specifications

	Part	Color	All Controls (A Max)
Electrical Specifications	BT050050	625	0.13
		WHI, 455, 530	0.18
		850	0.075
	BT100100	625	0.32
		WHI, 455, 530	0.44
		850	0.19
	BT200100	625	0.67
		WHI, 455, 530	0.92
		850	0.45
Normal Operating Temperature	0 - 60°C		
Weight (g)	BT050050 - 54.43g (1.92oz), BT100100 - 195.04g (6.88oz), BT200100 - 313g (11.04oz)		
Standard Cable Information	Up to 2 meters (80") long - 105°C rated PVC jacket, foil shield with drain.		
Photobiological Risk Factor IEC 62471	Exempt Applicable Wavelengths: 850 Group 1 (Low-Risk) Applicable Wavelengths: 455, 530, 625		
Compliance	  		
IP Rating	IP50		
Lumen Maintenance	L70 = 50,000 hours		

# MicroBrite™ BT Series

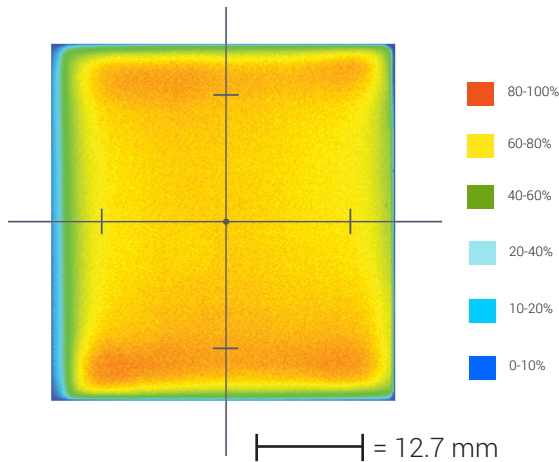
## Edge Lit Backlights

### Mechanical Specifications - BT050050



### Optical Performance- BT050050

#### Intensity Distribution



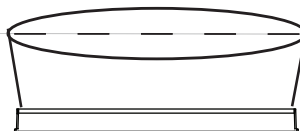
Optical measurement taken using BT050050-WHII3

#### Area of Illuminance & Intensity

Working Area (FWHM)  
@ Working Distance

Light Output

28 x 28 (mm)  
@surface

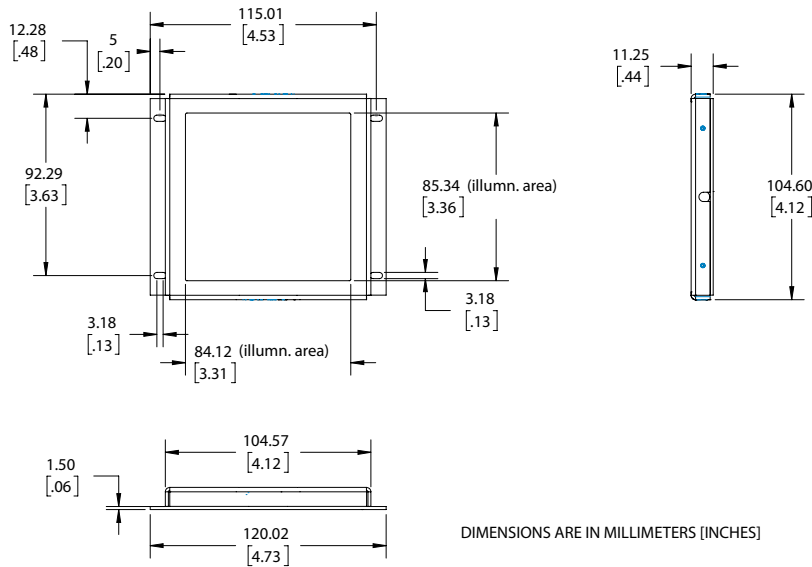


Irradiance (W/M<sup>2</sup>): Min 116.5; Typ 137.0  
Illuminance (kLux): Min 45.1; Typ 53

# MicroBrite™ BT Series

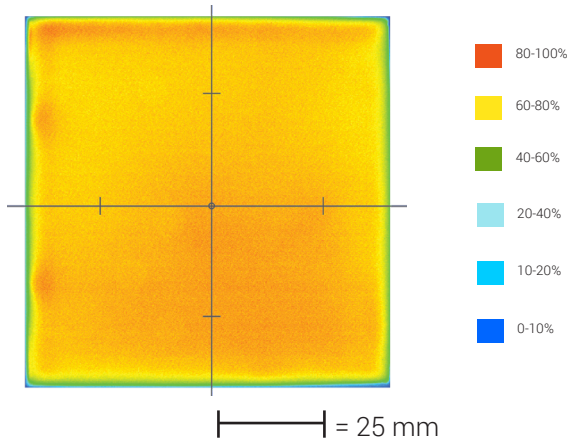
## Edge Lit Backlights

### Mechanical Specifications - BT100100



### Optical Performance- BT100100

#### Intensity Distribution



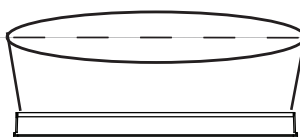
Optical measurement taken using BT100100-WHII3

#### Area of Illuminance & Intensity

Working Area (FWHM)  
@ Working Distance

Light Output

76 X 76 (mm)  
@surface

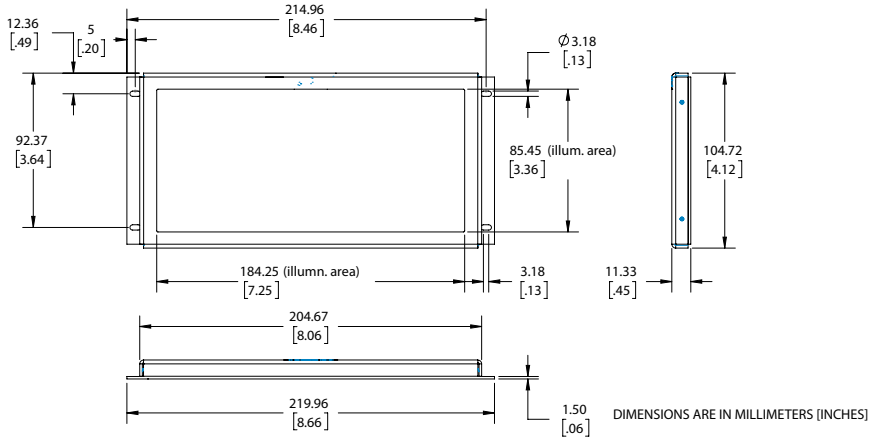


Irradiance (W/M<sup>2</sup>): Min 128.3; Typ 151.0  
Illuminance (kLux): Min 51.0; Typ 60.0

# MicroBrite™ BT Series

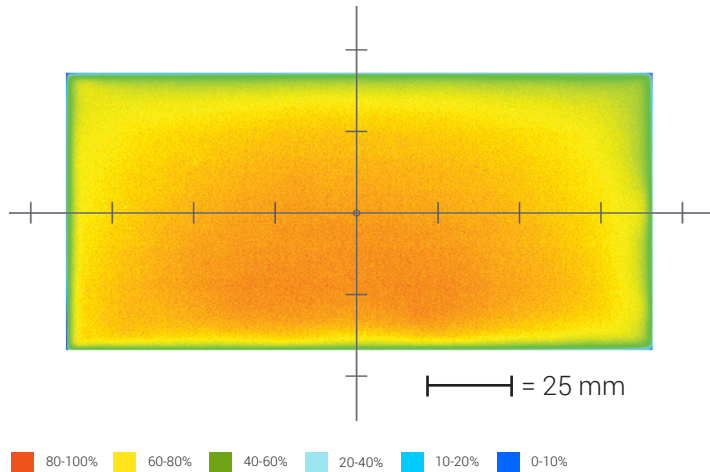
## Edge Lit Backlights

### Mechanical Specifications - BT200100



### Optical Performance- BT200100

#### Intensity Distribution



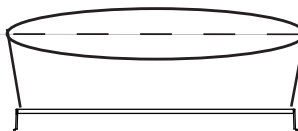
Optical measurement taken using BT200100-WHIC

#### Area of Illuminance & Intensity

Working Area (FWHM)  
@ Working Distance

Light Output

178 X 76 (mm)  
@surface



Irradiance (W/M<sup>2</sup>): Min 152.2; Typ 179.0  
Illuminance (kLux): Min 59.5; Typ 70.0

# MicroBrite™ BT Series

## Edge Lit Backlights

### Part Number Key

Model	Model Extension	—	Spectral Wavelength	Connector/Control	—	Alternative Connector
<b>BT</b>	<b>XXXXXX</b>	<b>—</b>	<b>XXX</b>	<b>XX</b>	<b>—</b>	<b>XXX</b>
BT	050050		455 (blue)	C1		M12 <sup>1</sup>
	100100		530 (green)	C5		
	200100		625 (red)	IC		
			850 (IR)	I3		
			WHI (white)	I3S		
<b>Ex: BT050050-WHIC1</b> <b>BT200100-625IC</b>						<sup>1</sup> Available with IC, I3, and I3S

**Stock Product:** *shipped next day*  
None

**Build to Order:** *shipped in two weeks*

### Connector | Control Options

C1 Connector	C5 Connector	ICS 2 (IC)	ICS 3 (I3)	ICS 3S (I3S)
For use with: <b>DCS Series Controllers</b>	For use with: <b>Pulsar 320 Strobe Controller.</b>	Continuous in-line controller  Powered with: <b>24V power supply</b>	Combination strobe/continuous in-line controller  Powered with: <b>24V power supply</b>	Default-OFF strobe/continuous in-line controller  Powered with: <b>24V power supply</b>

### Operation and Wiring

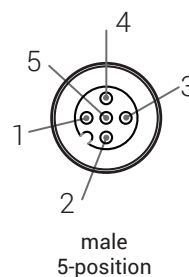
#### ICS 2 (IC)

Pin (M12)	Function	Wire Color
1	+24 VDC	<b>Brown</b>
2	0-10 VDC Analog Control	White
3	GND	<b>Blue</b>
4	GLO	<b>Black</b>
5	N/A	Gray

#### ICS 3 (I3 and I3S)

Pin (M12)	Function	Wire Color
1	+24 VDC	<b>Brown</b>
2	Reserved	White
3	GND	<b>Blue</b>
4	PNP/Active High Trigger	<b>Black</b>
5	0-10 VDC Analog Control	Gray

#### Optional M12 Pinout



# MicroBrite™ BT Series

## Edge Lit Backlights

### Warranty Information

Every Advanced illumination, Inc. (Ai) product is thoroughly inspected and tested before leaving the factory. Products are warranted to be free of defects in workmanship and materials for a period of two years from the original date of purchase. Should a defect develop during this period, please contact Ai Customer Service or your Ai distributor for a Return Merchandise Authorization (RMA), and return the complete product, freight prepaid, to Ai. If a defect is found, Ai will - at our discretion - repair or replace the product without charge. Ai claims no liability for any implied warranties, including "merchantability" and "fitness for a specific purpose."

### Electromagnetic Compatibility

This product was tested and complies with the regulatory requirements and limits for electromagnetic compatibility (EMC) as stated in the product specifications. These requirements and limits are designed to provide reasonable protection against harmful interference only when the product is operated in its intended industrial electromagnetic environment. To minimize the potential for electromagnetic interference or unacceptable performance degradation, install and use this product in strict accordance with the instructions in the product documentation.

### Customer Service

For information on existing orders, or to make an order adjustment, contact us Monday through Friday 8:00 am to 5:00 pm ET or send an email to [orders@advill.com](mailto:orders@advill.com).

### Company Information

#### **Advanced Illumination**

440 State Garage Road, Rochester VT. 05767

Phone: 802.767.3830

Fax: 802.767.3831

Email: [info@advancedillumination.com](mailto:info@advancedillumination.com)

Web: [advancedillumination.com](http://advancedillumination.com)

© 2015 Advanced Illumination Inc. All rights reserved