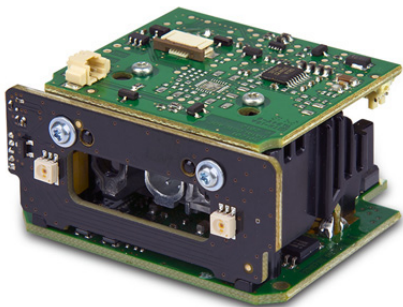


Gryphon™ GFE4400

Fixed Area Imaging
Bar Code Scan Engine



Integration Guide

Datalogic Scanning, Inc.

959 Terry Street
Eugene, OR 97402
USA

Telephone: (541) 683-5700

Fax: (541) 345-7140

©2012-2013 Datalogic ADC, Inc.

An Unpublished Work - All rights reserved. No part of the contents of this documentation or the procedures described therein may be reproduced or transmitted in any form or by any means without prior written permission of Datalogic ADC, Inc. or its subsidiaries or affiliates ("Datalogic" or "Datalogic ADC"). Owners of Datalogic products are hereby granted a non-exclusive, revocable license to reproduce and transmit this documentation for the purchaser's own internal business purposes. Purchaser shall not remove or alter any proprietary notices, including copyright notices, contained in this documentation and shall ensure that all notices appear on any reproductions of the documentation.

Should future revisions of this manual be published, you can acquire printed versions by contacting your Datalogic representative. Electronic versions may either be downloadable from the Datalogic website (www.datalogic.com) or provided on appropriate media. If you visit our website and would like to make comments or suggestions about this or other Datalogic publications, please let us know via the "Contact Datalogic" page.

Disclaimer

Datalogic has taken reasonable measures to provide information in this manual that is complete and accurate, however, Datalogic reserves the right to change any specification at any time without prior notice.

Datalogic and the Datalogic logo are registered trademarks of Datalogic S.p.A. in many countries, including the U.S.A. and the E.U. All other brand and product names may be trademarks of their respective owners.

Patents

This product is covered by one or more of the following patents.

US Pat.: 5,311,000; 5,481,098; 5,929,421; 5,992,740; 6,098,883; 6,260,764;
6,443,360 B1; 6,808,114 B1; 6,997,385 B2; 7,075,663 B2; 7,387,246 B2.

European Pat.: 789,315 B1; 926,620 B1; 1 997,760 B1; 1,128,315 B1; 1,217,571 B1; 1,396,811 B1; 1,413,971 B1.

Additional patents pending.

Table of Contents

Gryphon™ GFE4400 Integration Guide	1
Overview	1
Demo Kit	2
Unpacking the Scan Engine	2
Scan Engine Care	3
Technical Support	3
Datalogic Website Support	3
Telephone Technical Support	3
Mounting the Scanner	4
General Considerations	4
Mounting	4
Mounting the Scanner Standalone	4
Scan Engine Electrical Connections	5
Host Interface	5
USB	7
RS-232	8
External Trigger and Digital Output	8
User Interface	10
Good Read Beep Interface	13
Scanner Ventilation	14
Integrating the Scanner to Read at the Proper Distance	15
Design of the Scanner Opening	16
Integrating the Scanner Behind a Window	17
ESD Protection	18
Technical Specifications	19
RS-232 Electrical Connections	23
Indicators	24
Error Codes	25
Mechanical Specifications	26
Physical Properties	26
Scanner Dimensions	26
Clearance Required for Integration	28

NOTES

Gryphon™ GFE4400 Integration Guide

This document gives instruction, mechanical details, and design considerations to integrate the Gryphon™ GFE4400 model (designated as “scan engine” or “OEM scan engine” in this manual) specifically into equipment-integrated scanning applications.

Overview

The GFE4400 OEM scan engine is a compact decoding omni-directional imaging scan engine for fixed position OEM integration, such as price verifiers, kiosks, vending machines, point-of-sale (POS) terminals, and other equipment-integrated scanning applications. The new proprietary imaging technology excels at capturing hard-to-read bar codes in omni-direction orientation.

A typical system using the scan engine consists of a host system such as a price verifier or kiosk. The host system interfaces with the scan engine and receives decoded bar code data produced by the scan engine. The illumination LEDs in the scan engine emit visible light when a bar code passes through the scan volume area and light is reflected off the bar code. The scan engine captures an image, processes it into a digital signal and decodes it into data that can be used by the host system. The scan engine has different operational modes which can be selected via special programming bar codes.

The OEM scan engine is the same reader as that found in the Gryphon

GFS4400 scan module. This document is meant to give instruction, mechanical details, and design considerations to integrate the OEM scan engine model only.

Details on the Configuration Settings and Programming are found in the GFS4400 Product Reference Guide (PRG). The Datalogic Aladdin Configuration Utility (available free from the Datalogic website) can also be used to modify settings.

Demo Kit

To facilitate the scan engine OEM integration process, Datalogic offers a demo kit that contains:

- GFE4490 Scan Engine
- RS-232 cable
- USB cable
- Keypad containing trigger button & LED indicators
- Integration Guide

The kit can be ordered as GFE4490-DEMO. Contact your Datalogic representative or salesperson for more information.

Unpacking the Scan Engine

The scan engine is shipped in custom packaging. Carefully open the package, and inspect for the following:

- scan engine
- power supply (if ordered)
- interface cable (if ordered)

If any parts are damaged or you need additional hardware, please contact Technical Support.

Scan Engine Care

The scan engine contains sensitive components which require special handling. Datalogic may not warrant damage due to improper handling.

- Do not disassemble the scan engine. Doing so will void the warranty.
- Use standard ESD precautions & policies when handling the GFE 4400 scan engine.
- Avoid touching the camera lens. Fingerprints will degrade the scan engine's performance.

Technical Support

Datalogic Website Support

The Datalogic website (www.datalogic.com) is the complete source for technical support and information for Datalogic products. The site offers product support, product registration, warranty information, product manuals, product tech notes, software updates, demos, and instructions for returning products for repair.

Telephone Technical Support

If you do not have internet or email access, you may contact Datalogic technical support at (541) 349-8283 or check the back cover of your manual for more contact information.

Mounting the Scanner

This section describes how to design the mounting for optimum scanner performance.

General Considerations

A typical system uses the scanner mounted inside a host enclosure, with an opening for the scanning pattern to exit and read bar codes. The opening should be the size of the scanner field of view at a minimum, but only exposing as much of the scanner as necessary.

Although the scanner has been designed to be rugged, it is important to consider the effect of the environment on the scanner. In particular, mounting should minimize the possibility of foreign objects coming into contact with the electronics. Such contact could damage the device or reduce the scanner's performance.

Mounting

The primary method of mounting to the host enclosure is to attach the scanner using the three mounting holes provided in the main PCBA. "[Mechanical Specifications](#)" on page 26 has mechanical drawings of the scanner, including the position of the mounting features.

The scanner can be mounted upside down with no loss in scanning performance.

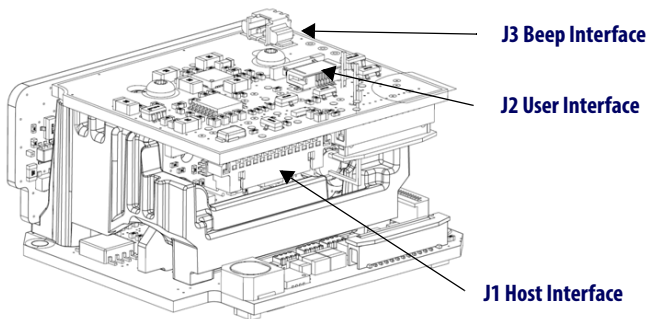
Mounting the Scanner Standalone

The OEM scanner is not intended for use in a standalone application. This model is intended to be integrated inside a host enclosure. GFS4400 models should be used when a standalone application is required.

Scan Engine Electrical Connections

The GFE4400 scan engine has three application ports for device integration, as indicated below, a Host (J1), User (J2), and Good Read Beep Interface.

Figure 1. Scan Engine Application Ports



Host Interface

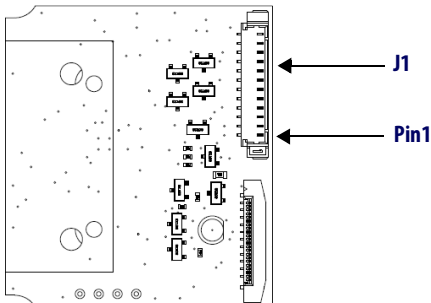
The Host Interface connection (J1) provides all the connection points for either RS-232 or USB host communications. Additionally, this connector is input for power and provides access to the external triggering input and digital signal output functions. The assignment of the connector pins are indicated in [Table 1](#) on page 6.

Table 1. J1 Connector Pins Assignment

Pin Number	Pin Functionality
1	USB D+
2	USB D-
3	USB Shield
4	USB Shield
5	EXT_TRIGGER_IN; (input to the base of a transistor, pull high to activate)
6	RS232 TXD (output from scanner)
7	RS232 RTS (output from scanner)
8	RS232 RXD (input to the scanner)
9	RS232 CTS (input to scanner)
10	DIGITAL_OUT (open collector)
11	+5V (USB Vbus or external power adapter)
12	GND

The J1 connection on the GFE4400 scan engine is a Hirose, DF13C-12P-1.25V, 12 circuit connector. For application integration the recommended mating plug is DF13-12S-1.25C housing with DF13-12S-1.25C wire crimp terminals.

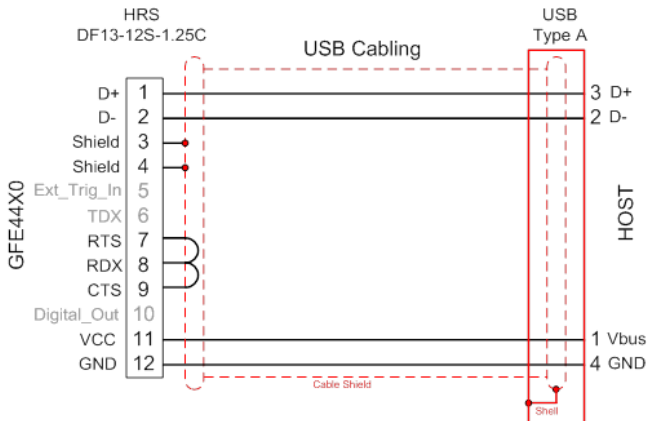
Figure 2. Interface Board (bottom view)



USB

For USB setup, the recommended wiring is the following.

Figure 3. USB Cabling

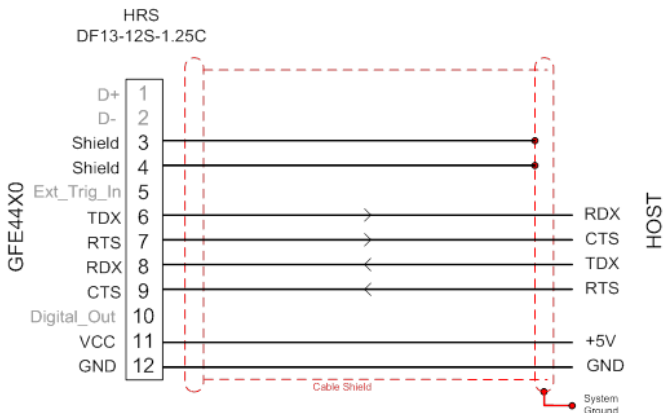


It is important that connections 7/8/9 be wired together for USB Auto Detection.

RS-232

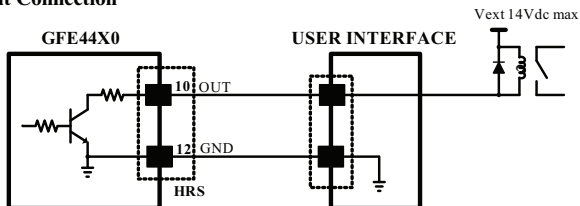
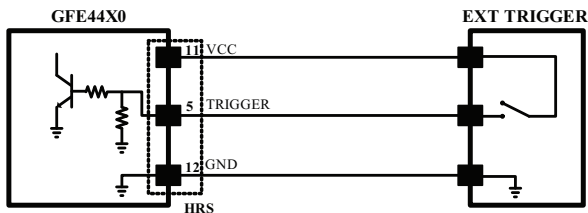
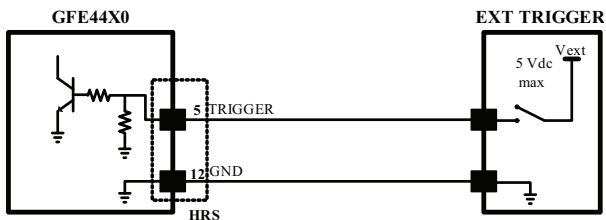
For RS-232 serial setup, the recommended wiring is shown below.

Figure 4. RS-232 Cabling



External Trigger and Digital Output

The interface allows the user's adapting interface to trigger the scan engine if not set for Automatic Reading Mode. Also, a programmable digital output signal is available, which indicates a good read/decode. The figures on the following page provide interface suggestions.

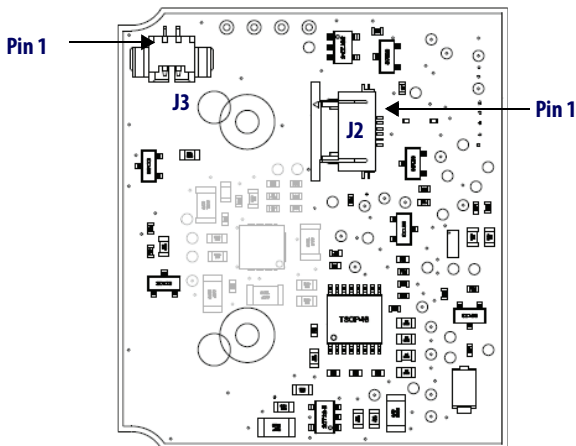
Figure 5. Connections**Output Connection****Input Trigger Using
GFE44X0 Power****Input Trigger Using
External Power**

User Interface

The User Interface connection (J2) provides the integrator a means to monitor scan engine status (LEDs), and offers an additional mechanism for manually triggering the device.

The user connection (J2) uses a Molex part number, 0527460671, 0.50mm (.020") Pitch FFC/FPC Connector, Right Angle, SMT, ZIF, Bottom Contact Style, 6 Circuits, Gold Contact Plating. For custom adaptations, the integrator must interface using an FFC (Flat Flexible Cable) that mates properly to scan engine ZIF connector.

Figure 6. Top view




The assignment of the J2 connector pins are indicated in the following table.

Table 2. J2 Connector Pins

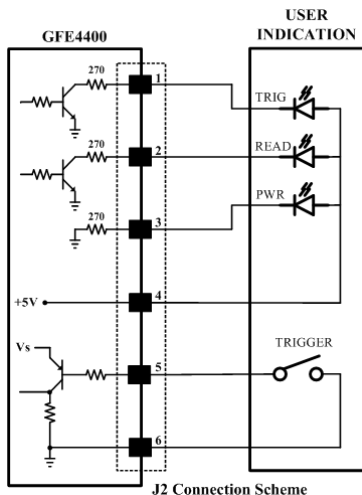
Pin Number	Pin Functionality
1	LED1 Ctrl Signal, Trigger (active low)
2	LED2 Ctrl Signal, Status (open collector active low)
3	LED3, Power, (hard wired to VCC internally)
4	VCC_Out (5v for LED supply)
5	Trigger Switch+
6	Trigger Switch- (ground)

The following table outlines scan engine status assigned to each LED (with recommended colors).

	POWER (yellow)	ON = Power ON
		OFF = Power OFF
	STATUS (green)	ON = Good Read
		Blinks = USB enumeration or interface inactive or waiting for change of configuration
	TRIGGER (blue)	ON = External trigger or button pressed or phase active
		Blinks = During transfer of captured image, or during Flash memory updates
	SWITCH	Press for manual-controlled trigger

The following is an example of a possible connection scheme for the User Interface:

Figure 7. Sample Connection Scheme



Good Read Beep Interface

The Beep Interface connection (J3) provides the integrator a means to tap the engine's good read beep signaling and interface with an external audio device.

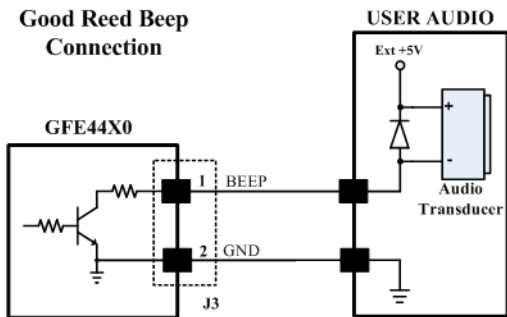
The Beep Connection (J3) is a Molex part number, 53261-0271, 1.25mm Pitch PicoBlade™ 2 Circuit Header. To attach to this SMT Right Angle Header, the integrator should use the Molex mating plug, 51021-0200 and wire crimp terminal, 50079-8000 or equivalent.

Table 3. J3 Connector Pin Assignment

Pin	Pin Functionality
1	Good Read Beep Signal (open collector, active low)
2	Common (gnd)

The Good Read Beep is a 2750Hz signal burst for 100ms provided by an on board Open Collector transistor drive circuit. Below is a simple example of an external audio implementation which calls out a readily available Magnetic Audio Buzzer. Any other type of audio-producing element may require a custom interface and drive circuitry. See "[Technical Specifications](#)" on page 19 for additional information about Good Read Beep output.

Figure 8. Beeper Connection Scheme



Scanner Ventilation

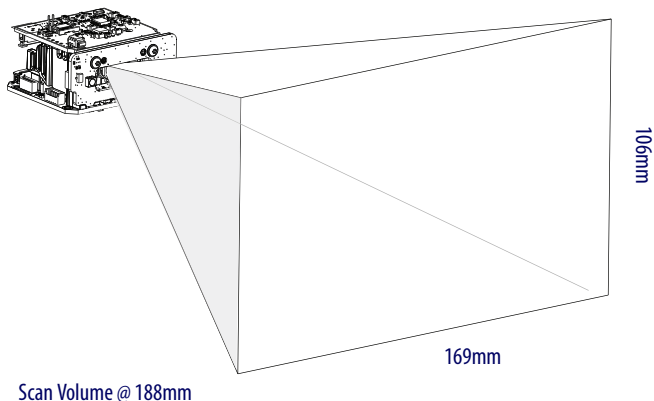
When mounting the scanner inside an enclosure, it is important to have proper ventilation to ensure that the scanner temperature does not exceed the maximum range as listed in "[Technical Specifications](#)" on page 19. The reliability of the scanner may be compromised if the temperature range is not maintained.

Integrating the Scanner to Read at the Proper Distance

When deciding how to mount the OEM scanner, there are many criteria that must be considered. First, there are minimum and maximum distances that the bar code can be from the front of the scanner to be properly read, depending on the size of the bar code. These distances, or depth of field, are specified in "Technical Specifications" on page 17.

The scanner must be positioned so that the scan volume and illumination light will cover the entire bar code. The scan volume is shown in Figure 9. The combination of the Scan Volume and the illumination light is called the Field of View. Designing around the scanner Field of View is explained more in the following section.

Figure 9. Scanning Volume



Design of the Scanner Opening

The design and placement of the scanner opening within a host enclosure are critical for optimum system performance. A typical system uses the scanner mounted inside a host enclosure, with an opening to allow the scanner Field of View to exit the scanner window and read bar codes.

Use the following guidelines to design the host enclosure and scanner opening, along with the dimensions shown in "[Mechanical Specifications](#)" on page 26.

- The opening must not block any of the outgoing illumination light, described by dimensions of the scanner Field of View.
- Ensure that there are no reflective surfaces around the area of the scanner opening.
- The minimum opening size must increase as the distance between the scanner and the host enclosure window increases. This is necessary to accommodate the width and height of the scan volume.
- The opening or other parts of the host enclosure must not enter the Field of View in order to allow the bar code image to be captured by the scanner.
- If the scanner is flush against the opening, the opening must be the size of the scanner at a minimum, but only exposing as much of the front surface of the scanner as necessary.

Integrating the Scanner Behind a Window



CAUTION

The addition of a host enclosure window could degrade scanner performance. This is due to the optical reflective surfaces that will cause interference with the imaging technology.

It is recommended to conduct scan performance testing with any window to determine if the performance level is acceptable for the application.

- Window material should be transparent with $\geq 92\%$ transmission to wavelength 625nm and 850nm.
- Only a flat window must be used.
- The window should be as thin as possible (thickness less than 2mm).
- The window should be as close to the illumination LEDs as possible to avoid LED ghost images or light reflections. Tilting the window and/or anti-reflective coating can help mitigate illumination reflections.

Performance degradation may include:

- The scan module will not read very low contrast labels.
- The scan module will not be able to wake up, especially in low ambient light (typically $< 100\text{Lux}$). In this case, the scan module may need its wakeup sensitivity setting increased.

ESD Protection

The host enclosure design must provide adequate ESD protection for the scanner. Ideally, static discharge should not be allowed contact with the scanner. The preferred method to prevent static discharge is to provide a long discharge path to all circuits. The scanner is intended to be mounted inside a host enclosure. Only the front surface should be exposed in order to read bar codes. This is to protect the rear interface connector area, which can be susceptible to static discharge. Interface cables should also not have power applied when inserted into the scanner. Any metal mounting surfaces for the scanner must be electrically grounded with proper insulation to the scan engine mounting.

Static discharge (ESD) testing is recommended for the entire system integration to ensure proper ESD protection.



ESD

Proper ESD protection should be used at the time of installation and servicing of the scanner or the host equipment.

Item	Description
Good Read Beep Output	
Output Type	Open Collector
Maximum Sink Current	200mA
Maximum Sink Voltage	5V (ESD protection limit)
Current & Power Consumption	
Input current at 5V in Automatic (Object Sense) Reading Mode	
Operating (typical)	175 mA (OnLine & Serial OnLine Modes) 165 mA (Automatic Object Sense Mode)
Operating (max)	180 mA
Idle/standby (typical)	53 mA (OnLine & Serial OnLine Modes) 100 mA (Automatic Object Sense Mode) No idle in Automatic Mode
Performance Characteristics	
Nominal Frame Rate	53 frames/second
Light Source	Dual Red LEDs
Roll (Tilt) Tolerance	Up to $\pm 180^\circ$
Pitch Tolerance	$\pm 40^\circ$
Skew (Yaw) Tolerance	$\pm 40^\circ$
Print Contrast Minimum	25% minimum reflectance
Field of View	40° H x 26° V

Depth of Field (Typical)	NF = Near Field	cm		inches	
	FF = Far Field	NF	FF	NF	FF
Code 39 5mil	3.8	16.8	1.5	6.6	
Code 39 10mil	0.8	32.3	0.3	12.7	
Code 39 20mil	0.2	48.3	0.1	19.0	
EAN 7.5mil	1.9	26.4	0.7	10.4	
EAN 13mil	1.6	41.0	0.6	16.1	
PDF-417 6.6mil	2.4	14.5	1.0	6.0	
PDF-417 10mil	1.3	23.0	0.5	9.4	
PDF-417 15mil	1.6	34.7	0.6	13.6	
DataMatrix 10mil	1.8	16.2	0.7	6.4	
DataMatrix 15mil	0.3	23.7	0.1	9.3	
QR Code 10mil	2.6	15.1	1.0	5.9	
QR Code 15mil	0.0	23.4	0.0	9.2	
Minimum Element Width	1D Min Resolution = 4 mil PDF-417 Min Resolution = 5 mil Datamatrix Min Resolution = 7 mil				

Decode Capability

1D Bar Codes

UPC/EAN/JAN (A, E, 13, 8); UPC/EAN/JAN (including P2 /P5); UPC/EAN/JAN (including; ISBN / Bookland & ISSN); UPC/EAN Coupons; Code 39 (including full ASCII); Code 39 Trioptic; Code39 CIP (French Pharmaceutical); LOGMARS (Code 39 w/ standard check digit enabled); Danish PPT; Code 32 (Italian Pharmacode 39); Code 128; Code 128 ISBT; Interleaved 2 of 5 ; Standard 2 of 5; Interleaved 2 of 5 CIP (HR); Industrial 2 of 5; Discrete 2 of 5; Datalogic 2 of 5 (China Post Code/Chinese 2 of 5); IATA 2of5 Air cargo code; Code 11; Codabar; Codabar (NW7); ABC Codabar; EAN 128; Code 93 ; MSI; PZN; Plessey; Anker Plessey; GS1 DataBar Omnidirectional; GS1 DataBar Limited; GS1 DataBar Expanded; GS1 DataBar Truncated; DATABAR Expanded Coupon.

* 13 mils Depth of Field (DOF) based on EAN. All others are Code 39. All labels grade A, minimum illumination 100 lux, 20°C, label inclination 10°, static reading. Measured from illumination LEDs.

2D / Stacked Codes

The Gryphon I GFS4400 scanner is capable of decoding the following symbologies using multiple frames (i.e. Multi-Frame Decoding).

Datamatrix; Inverse Datamatrix; Datamatrix is configurable for the following parameters; Normal or Inverted; Square or Rectangular Style; Data length (1 - 3600 characters); Maxicode; QR Codes (QR, Micro QR and Multiple QR Codes); Aztec; Postal Codes - (Australian Post; Japanese Post; KIX Post; Planet Code; Postnet; Royal Mail Code (RM45CC); Intelligent Mail Barcode (IMB); Sweden Post; Portugal Post); LaPoste A/R 39; 4-State Canada; PDF-417; MacroPDF; Micro PDF417; GS1 Composites (1 - 12); Codablock F; French CIP13^a; GS1 DataBar Stacked; GS1 DataBar Stacked Omnidirectional; GS1 DataBar Expanded Stacked; GS1 Databar Composites; Chinese Sensible Code; Inverted 2D codes^b.

^aIt is acceptable to handle this with ULE

^bThe software can apply the Normal/Reverse Decoding Control to the following symbology: Datamatrix, QR, Micro QR, Aztec and Chinese Sensible Code.

NOTE: The Scanner can also decode mirrored images of 2D matrix codes Datamatrix, QR Code and Maxicode.

Host Interface supported	RS-232 USB (full speed)
User Environment	
Operating Temperature	-4° to 122° F (-20° to 50° C)
Storage Temperature	-4° to 158° F (-20° to 70° C)
Humidity	Operating: 5% to 90% relative humidity, non condensing
Ambient Light immunity	Up to 100,000 Lux
Regulatory	
LED Emission Class	(IEC-62471:2006-07) Exempt (No Risk) IEC60825-1: 2007

RS-232 Electrical Connections

9-pin connector

1	Trigger	Trigger signal input
2	TX	Transmit Data (output from scanner)
3	RX	Receive Data (input to scanner)
4	NC	Not connected
5	GND	Ground
6	VCC	+5Vdc
7	CTS	Clear To Send (input to scanner)
8	RTS	Request To Send (output from scanner)
9	DIGITAL OUTPUT	Output signal

Default configuration is RS-232: 9600, 8, N, 1, no handshaking, ACK/NAK disabled.

Indicators

The reader's green LED L2 of J2 illuminates to indicate various functions or errors. An optional "Green Spot" also performs useful functions. The following tables list these indications. One exception to the behaviors listed in the tables is that the reader's functions are programmable, and so may or may not be turned on.

Indicator	Description	LED L2 of J2
Good Read	A label has been successfully scanned by the reader.	LED2 and Green Spot LED behavior for this indication is configurable via the feature "Good Read: When to Indicate" (see the GFS4400 PRG for information.)
ROM Failure	There is an error in the reader's software/programming	Flashes
Configuration Programming Mode	The scan engine is ready to read a configuration label or a command from the Aladdin Configuration Utility.	The LED blinks continuously.
Reader Disabled	The reader has been disabled by the host.	The LED blinks continuously.
Green Spot ^a flashes momentarily	Upon successful read of a label, the software shall turn the green spot on for the time specified by the configured value.	N/A
Image Capture	On when ready to capture image	Blue LED on

Indicator	Description	LED L2 of J2
Flash Memory Update	Occurs while update is in progress	Blue LED blinks

^aExcept when in sleep mode or when a Good Read LED Duration other than 00 is selected

Error Codes

Upon startup, if the reader's LED2 and Green Spot are blinking alternately, this means the reader has not passed its automatic Selftest and has entered FRU (Field Replaceable Unit) isolation mode. If the reader is reset, the sequence will be repeated. Press and release the trigger to see the FRU indication code from LED2 flashes.

The following table describes the LED flashes associated with an error found.

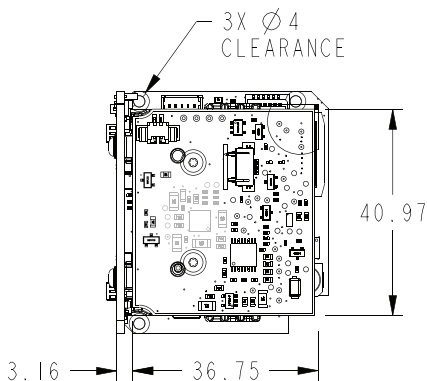
Number of LED2 Flashes	Error	Corrective Action
1	Configuration	Contact Helpdesk for assistance
2	Interface PCB	
6	Digital PCB	
11	Imager	

Mechanical Specifications

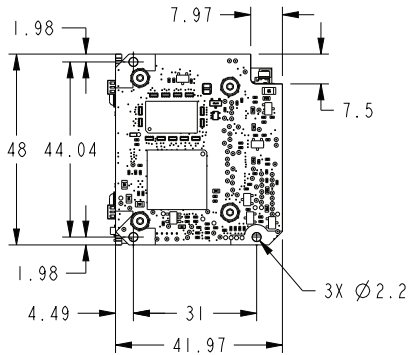
Physical Properties

Parameter	Specification
Dimensions	42.0mm x 48.0mm x 28.2mm (1.65" x 1.89" x 1.11")
Weight	~51.2 g (1.8 oz)

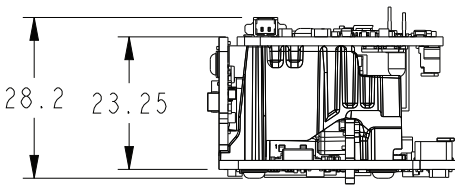
Scanner Dimensions



Scanner Dimensions (continued)

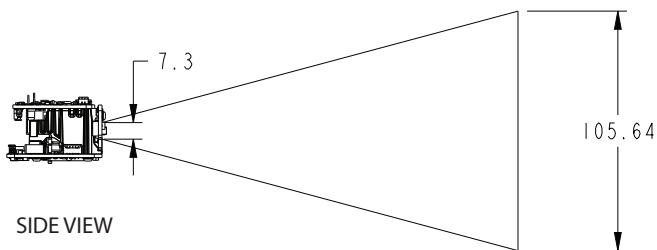
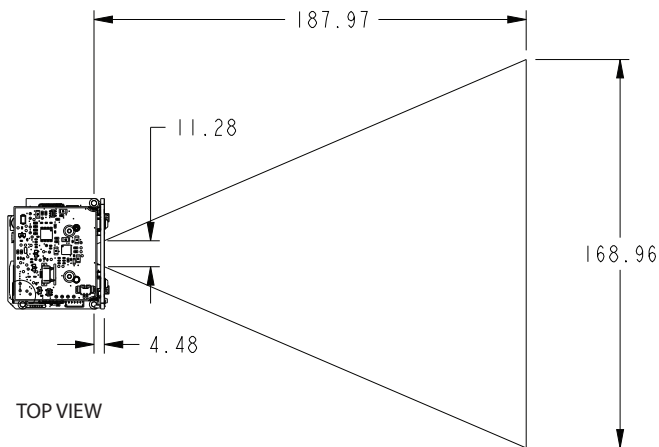


BOTTOM VIEW



SIDE VIEW

Clearance Required for Integration



NOTES

NOTES

PART	部件名称	Lead (Pb)	Mercury (Hg)	Cadmium (Cd)	Hexavalent Chromium (Cr(VI))	Polybrominated biphenyls (PBB)	Polybrominated diphenyl ethers (PBDE)
		有毒有害物质或元素					
Printed Circuit Board Assembly	电路板组件	X	0	0	0	0	0
Assy, Optics Block	光学组件	X	0	0	0	0	0
Assy, Module	光学组件	X	0	0	0	0	0
O: 代表此种部件的所有均质材料中所含的该种有毒有害物质均低于《中华人民共和国信息产业部所颁布的《电子信息产品中有毒有害物质的限量要求》(SJ/T 11363-2006) 规定的限量。 X: 代表此种部件所用的均质材料中,至少有一类材料其所含的有毒有害物质高于《中华人民共和国信息产业部所颁布的《电子信息产品中有毒有害物质的限量要求》(SJ/T 11363-2006) 规定的限量							



www.datalogic.com

©2012-2013 Datalogic ADC, Inc. ■ All rights reserved.
Datalogic and the Datalogic logo are registered trademarks of Datalogic S.p.A. in many countries, including the U.S.A. and the E.U.

Datalogic ADC, Inc.

959 Terry Street | Eugene | OR 97402 | USA
Telephone: (1) 541-683-5700 | Fax: (1) 541-345-7140



820059414

(Rev C)

Sept 2013