

Product Overview

STUB-E Ultra Compact 2D Embedded Barcode Scan module

Designed specifically for limited space in small lab instruments, medical devices, and small form factor kiosks, the STUB-E is a decoded ultra-compact high performance 2D scan module. At just 21.34 mm H x 41.15 mm W x 34.29 D mm the STUB-E01 is one of the smallest scan modules on the market.

The STUB-E is available in RS232, UART, and USB versions. All versions feature an exceptional high-speed sensor which enables image capture at a full 60 frames per second, delivering outstanding motion tolerance. The integrated white illumination is pleasant to the user's eyes and provides greater reading capabilities inside or outside of an OEM machine. The scan engine features an outstanding depth-of-field, a large field-of-view, snappy reading, and excellent performance on decoding poorly printed bar codes and bar codes displayed on mobile devices and computer screens. The STUB-E incorporates an excellent cross hair aimer and visual good read green spot greatly enhancing the user experience and ease of use. The STUB-E also includes an integrated beeper for customer feedback.



STUB-E01



Rear View

Features

- Extremely compact size 21.34 mm H x 41.15 mm W x 34.29 D mm
- Highly reliable Decoding engine
- Highly visible center cross hair and 4 dot aiming system
- Steady integrated white illumination
- Snappy reading performance with high motion tolerance
- Excellent reading of 1D or 2D codes on print or displayed on mobile device or computer screens
- Green Spot good-read feedback
- RS232, USB or UART communications

Applications



The STUB-EXX is perfectly suited for OEM applications and specifically designed for embedded barcode requirements in:

- Medical devices
- Bedside point of care devices
- Lab Automation systems
- Lottery Machines
- Kiosks
- Self Service Systems
- Vending machines
- Loyalty reward programs

Technical Specifications

DECODING CAPABILITY

1D / LINEAR CODES	Auto discriminates all standard 1D codes including GS1 DataBar™ linear codes.
2D CODES	Aztec Code; China Han Xin Code; Data Matrix; MaxiCode; Micro QR Code; QR Code
POSTAL CODES	Australian Post; British Post; China Post; IMB; Japanese Post; KIX Post; Korea Post; Planet Code; Postnet; Royal Mail Code (RM4SCC)
STACKED CODES	EAN/JAN Composites; GS1 DataBar Composites; GS1 DataBar Expanded Stacked; GS1 DataBar Stacked; GS1 DataBar Stacked Omnidirectional; MacroPDF; MicroPDF417; PDF417; UPC A/E Composites

ELECTRICAL

CURRENT	Operating (Typical): <150mA Standby/Idle (Typical): 12mA
INPUT VOLTAGE	4.5 - 5.5 VDC +/-5% at 23 °C

ENVIRONMENTAL

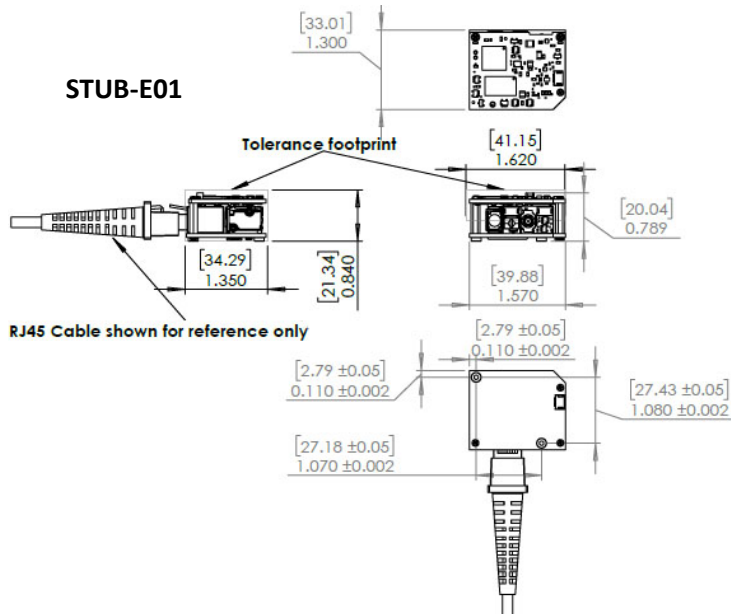
AMBIENT LIGHT	0 - 100,000 lux
HUMIDITY	5 - 95% (NON –CONDENSING)
SHOCK	2500 G at 23 °C at 0.85 m sec.
TEMPERATURE	Operating: -10 to 50 °C / 14 to 122 °F Storage/Transport: -40 to 70 °C / -40 to 158 °F

INTERFACES

INTERFACES	STUB-E01: RS-232/RJ connector STUB-E02: USB Micro connector STUB-E03: UART 12-pin zif cable
------------	---

PHYSICAL CHARACTERISTICS

DIMENSIONS	21.34 mm H x 41.15 mm W x 34.29 D mm / 0.84 H x 1.62 W x 1.35 D in (Measured as one scan module 01 model)
WEIGHT	20.0 g / 0.7 oz



READING PERFORMANCE

IMAGER SENSOR	VWGA: 752 x 480 pixels
LIGHT SOURCE	Aiming: 650 nm VLD Illumination: Internal White LEDs
PRINT CONTRAST RATIO (MIN)	25%
FIELD OF VIEW	40° H x 26° V
READING ANGLE	Pitch: +/- 60°; Roll (Tilt): +/-180°;Skew (Yaw): +/- 60°
READING INDICATORS	Green Spot good read confirmation (optional), Audible Beeper
RESOLUTION (MAXIMUM)	1D Linear: 3 mils; DataMatrix: 7.5 mils; PDF417: 5 mils

READING RANGES

TYPICAL DEPTH OF FIELD	Minimum distance determined by symbol length and scan angle. Printing resolution, contrast, and ambient light dependent. 1D / 2D CODES 3 mils Code 39: up to 10.5 cm / up to 4.1 in 5 mils Code 39: 6.5 to 21.0 cm / 2.6 to 8.3 in 13 mils EAN-13: 5.5 to 39.0 cm / 2.2 to 15.4 in 20 mils Code 39: up to 50.0 cm / up to 19.7 in 15 mils DataMatrix: 4.0 to 25.0 cm / 1.6 to 9.8 in
------------------------	---

SAFETY & REGULATORY

ENVIRONMENTAL COMPLIANCE	Complies to China RoHS; Complies to EU RoHS
LASER CLASSIFICATION	Caution Laser Radiation - Do not stare into beam IEC 60825 Class 2

UTILITIES

DATALOGIC ALADDIN™	Datalogic Aladdin configuration SW Command set for programmatic configuration
OPOS / JAVAPOS	JavaPOS Utilities are available OPOS Utilities are available
REMOTE HOST DOWNLOAD	Lowers service costs and improves operations

WARRANTY

WARRANTY	18-Month Factory Warranty
----------	---------------------------

